



**TORNADO PERSONAL DEFENCE SYSTEM**  
**Features and Benefits**  
and guidelines for the safe usage of the product



Pepper Spray

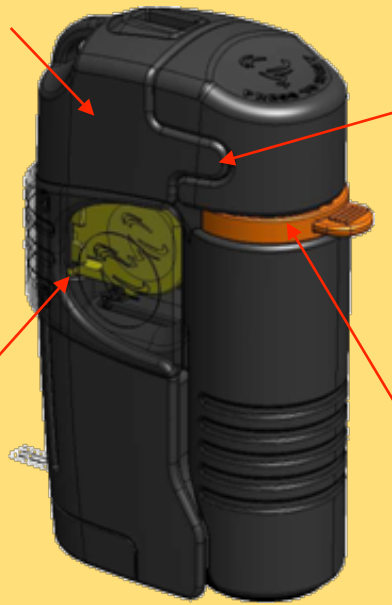
## **SAFETY**

### **1. Full length safety cover and base for Alarm.**

The Tornado Pepper Spray device has its nozzle fully encased so that in the event of accidental discharge the spray will remain inside the device without contaminating the operator. This also prevents any dirt or debris from entering the spray exit nozzle.

### **2. Clear sliding safety door.**

Prevents the accidental release of Tornado from its base until the operator slides it down into the ready position. In the up-locked safe position, it will ensure safe transport or travel with Tornado.



### **3. Patented integrated thumb safety lock.**

Note the integrated plastic design and form of the base and thumb trigger. In no way you can release Pepper Spray in this position. No fine motor skills are required to turn on the safety features. You do it automatically without having to think about it. Our engineers make reference to it as the "auto-safety removal manoeuvre".

### **4. Orange safety clip.**

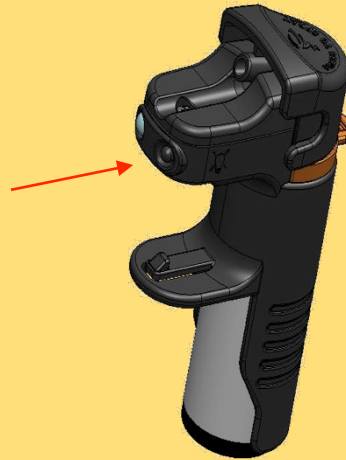
This prevents any discharge during shipment from the factory to the consumer. Once the consumer has familiarized him/herself with the operation of Tornado this clip should be discarded as it deactivates the Pepper Spray.



# **ALARM AND STROBE FEATURES**

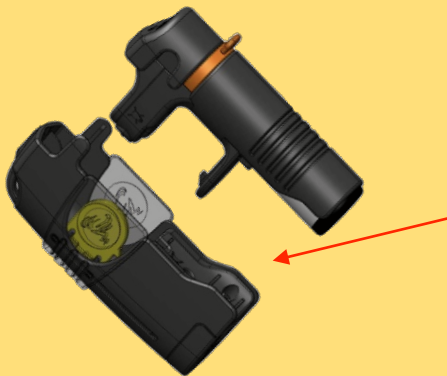
## **1. Strobe Light**

You will notice that there is only one light source for the strobe light. Our tests found that a single source of pulsing illumination was more blinding than offsetting pulsation from two light sources. Strobe lighting naturally attracts attention, can be noticed in gloomy or foggy surroundings, and creates a wider visible range than a directed light source. Tornado's strobe light is automatically and naturally pointed in the right direction when deployed (toward the attacker and away from the operator, thus also concealing the operator's identity).



## **2. Alarm Intensity**

Tornado's alarm registers 125 decibels, and is one of the loudest alarm of its type allowed on the market. The oscillating sound is designed to have the most recognizable distress signal, at a pitch that is set for maximum audible distance.



## **3. Alarm Separation**

When deployed, Tornado's alarm remains in the base, which is typically affixed to the operator's waist, arm, vehicle, or something carried, or on the wall. The separate location of the piercing alarm is further disorienting to attackers, especially in darkness and in combination with the strobe light, and will continue to function if the Tornado Head is somehow dislodged during an attack.



# **SPRAY FEATURES**

## **2. Exit Nozzle**

Please note the 8 degree raised angle of the exit nozzle. This revolutionary innovation sets our spray pattern apart from our competitors. When a standard spray is released, its contents are forced out at a 90 degree angle. Tornado's exit angle is 82 degrees and thus has less restriction at release. This allows a significant advantage over our competition as it relates to spray distance. For example, the average advertised spray distance is 8 to 12 feet. Tornado's spray distance is 12 to 15 feet.

## **3. Tornado Pepper Spray**

This trademarked formula is designed for and only available in Tornado. It is a 10% OC with a 1.33% active ingredient of Cayenne pepper, has 2 million Scoville heat units and has the ability to stop multiple attackers in their tracks. It was developed by Counter Assault, the USA's leading authority on manufacturing Oleo Resin Capsicum (Pepper) aerosol sprays with the most effective ingredients. Counter Assault is based out of Montana and is the highest rated manufacturer of aerosol defence sprays in the States.

## **1. Thumb Trigger**

In this position the hand maintains its natural ability for strength. Traditional pepper sprays that require an index finger trigger activation put the wrist in a unlocked and weak position, allowing the possibility of either the removal or the spray being knocked out of your hand.



## **4. Pattern**

We have developed a stream pattern that can reach a distance of up to 15 feet with a 2 to 3 foot circumference. This stream pattern also offers the least opportunity of cross contamination, as the increased spray distance means it evaporates in a more predictable stream.



# **SPEED RELEASE**

## **1. Release Button**

Always remember to push the yellow button! Never try and separate the head from the base by pulling. The head unit is designed to pop into your hand by just pushing the yellow release button. This is the secret to speed release and one of the patented features of Tornado. Please note Tornado is designed to work to its optimum with one of its accessories., which will retain the base when deployed.

## **2. Spray Head**

Notice how the spray head is automatically facing in the right direction without fail. You cannot release it so that it is facing you. Therefore you will never accidentally spray yourself.



## **4. Thumb Trigger**

Notice after releasing Tornado your thumb naturally goes to the deployment position. Imagine how fast you can spray your target during an attack!



## **3. Nozzle**

Notice the 8 degree angle of the nozzle. Our engineers designed it to allow a natural hand position when handling the unit in a clenched fist. Notice how your nozzle is pointing slightly upwards or level. This allows more consistency in hitting your intended target. Our competitor's nozzles, when held in this position, in this position face slightly down and away from the face of the intended target.



## **ERGONOMIC HAND FIT**

### **1. Ergonomic Fit.**

Once Tornado is in your hand it fits naturally to a clenched fist position.



### **2. Finger Lock**

This unique feature can only be found on Tornado. It actually locks Tornado into your hand and forces Tornado to face in the correct direction.



### **3. Striking an attacker**

With Tornado's unique design it actually allows you to strike an attacker and maintain in control of your Tornado. If desired one may strike and then spray.

### **4. At night**

With Tornado in your hand and the light strobing it Tornado becomes virtually invisible, with only the head sticking out.



**TORNADO PERSONAL DEFENCE SYSTEM**

Features and Benefits of Tornado